

General

Mounting/Installation manual 2019



SYSTEM 
EDSTRÖM

Important, before you start!

Read this manual thoroughly!

Think about this before you start to mount.

Note that this is a general mounting instruction!

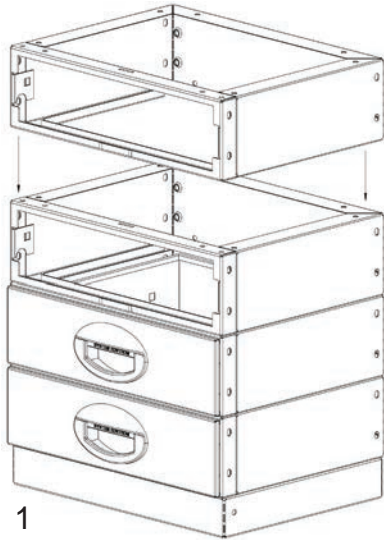
- Pre-assemble as much as possible outside the vehicle, make sure that the assembled unit will go through the door opening.
- Most of our products have the necessary holes for assembling and mounting prepunched, but in some cases you will have to drill them yourself.
- Locate suitable stringers to attach the racking to, eg. Vertical stringers at the B, C or D bars, as well as horizontal stringers above and below window level.
- Locate position of fuel tank, spare wheel, fuel and brake lines, electrical cables, etc. Make sure not to damage these while drilling or attaching screws and rivets.
- This manual contains all required details for attachment of the racking.
- It is better to use to many fixings than to few.
- Remember to use corrosion protection after drilling the vehicle.
- The vehicle might need to undergo a check at your local authorities for approval of the safety related aspects of the installation.
Please check your country's laws and procedures regarding this matter.

Torque

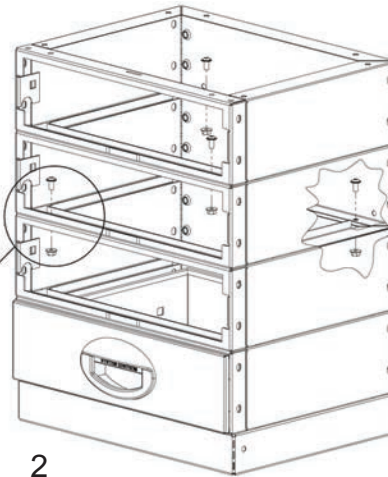
M6 - 14 Nm

M8 - 24 Nm

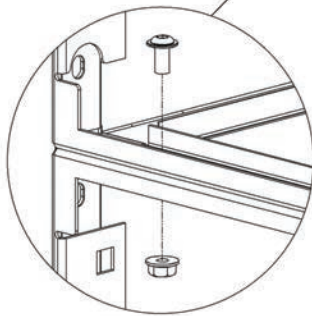
Make a cabinet of drawers



1



2

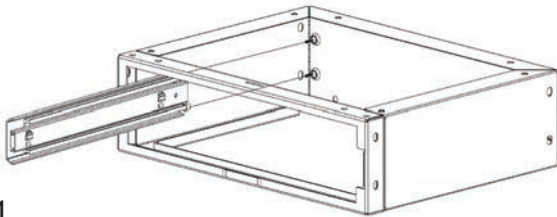


If the ball bearings are mounted in the case, remove them before mounting the drawers to each other. (Further down on this page you can see how the bearings are attached.)

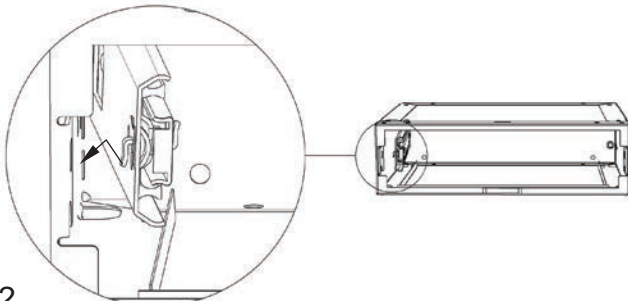
- 1 Place drawer cases on top of each other.
- 2 Screw the cases together with M6x10 mm collar screw and secure with the M6 nut. Two anchorages per case is enough. Let the screws go abeam to each other.

Use the same method as above to mount a support plinth and secure with M6x10 mm collar screw and nut.

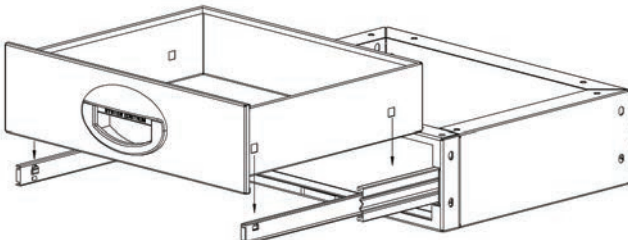
Installing ball bearings



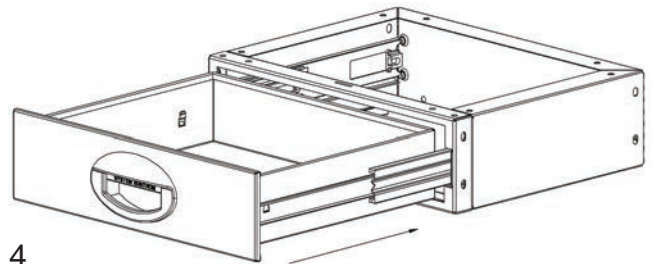
1



2



3

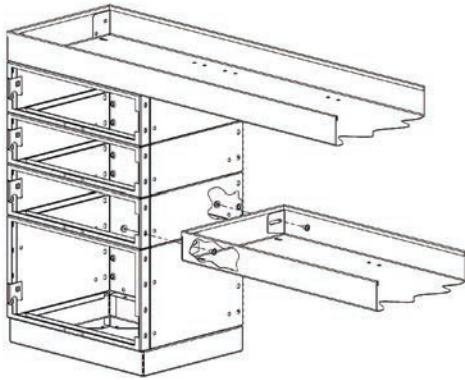


4

- You should have 2 different ball bearings, one marked "L" for left and one marked "R" for right.

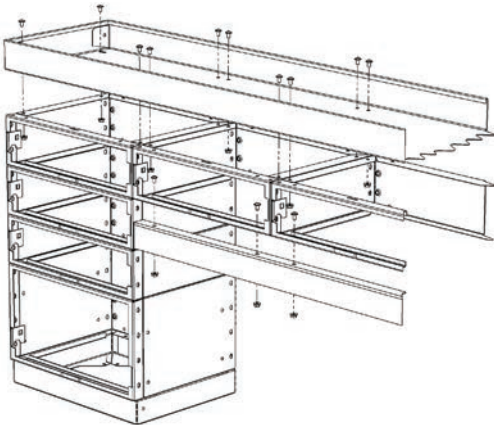
- 1 Fit the two pegs in the circular corresponding holes in the back of the drawer case.
- 2 Snap the flange in the square hole in the front of the drawer case.
- 3 Pull out the slides and snap the drawer on to the four flanges.
- 4 Push the drawer in.

Shelf to drawer



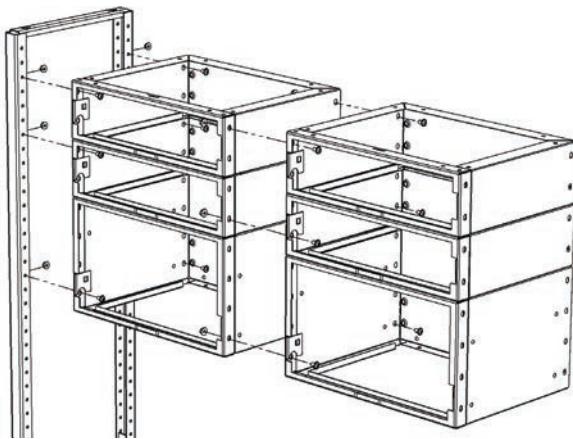
- Align shelf holes to corresponding holes in the drawer case.
- Use M6x10 collar screw and M6 collar nut.

Shelf on drawer



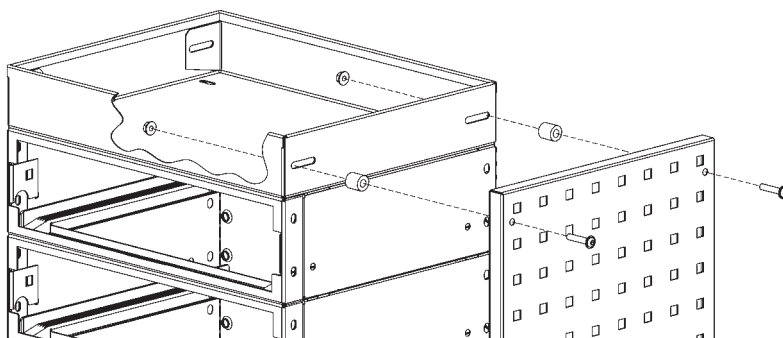
- Align shelf holes to corresponding holes in the drawer case.
- Use M6x10 collar screw and M6 collar nut.
- Suspended drawers must be bolted in the top shelf.
- Every drawer must be bolted to each other.
- In case of high payload you must use a support rail under the drawers.

Drawer to Shelf Frame



- Align drawer case holes to corresponding holes in the frame.
- Use M6x10 collar screw. Tighten from inside of the drawer case.
- Every drawer must be bolted together.
- Drawer to drawer, use M6x10 mm collar screw and M6 collar nut.

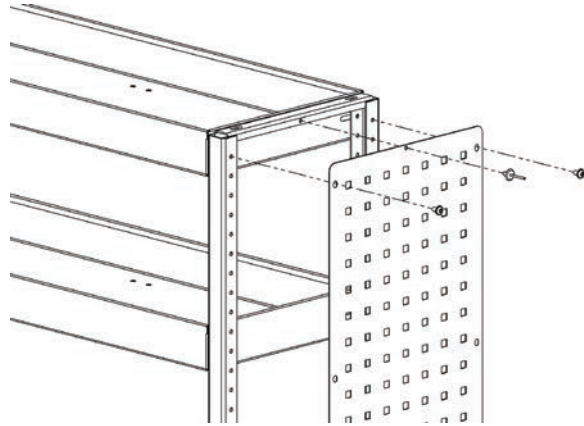
Pegboard to Drawer



- Drill \varnothing 6,5 mm holes in the pegboard, see picture. Number of holes depends on the size of the pegboard.
- Add a plastic spacer between the pegboards inside and drawer case and let the screw go through it. This prevents the pegboard from being deformed. (Ordered separately, partno. 3031.)
- Use M6x25 collarscrew and M6 collar nut.

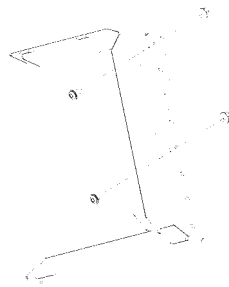
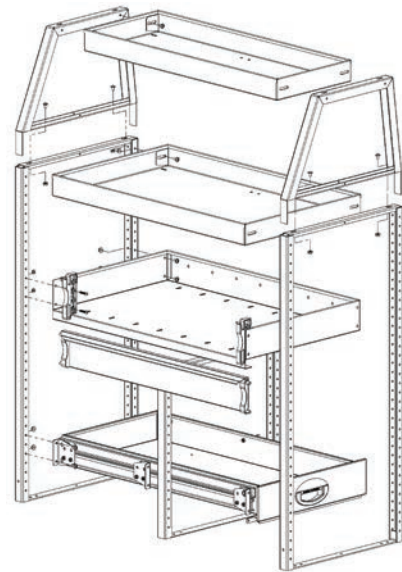
Plain sheet Pegboard to Shelf Frame

- Place the pegboard on the shelf frame, align the holes in the pegboard with the holes in the frame.
- Mount the pegboard with selftapping M6x10 screws in the holes on the sides.
- For extra stability, mount a $\varnothing 4,8 \times 10$ mm aluminum rivet in the hole in the middle of the pegboard.

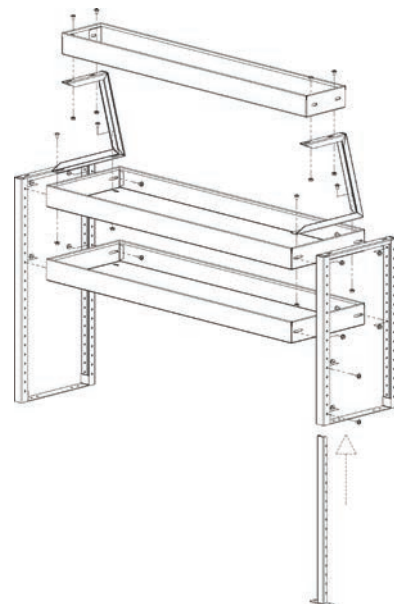


Shelves

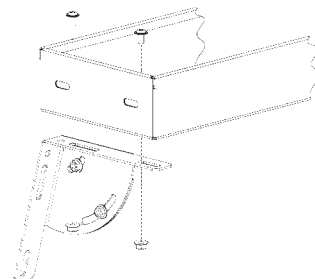
- Place the shelf at the desired height and use M6x10 mm selftapping collar screw, one in each corner, and bolt it in the shelf frame.
- Dropfront shelves mount with two M6x10 mm collar screws in each corner.
- Sliding shelf, the rails mount with two M6x10 mm collar screws in each corner.
- Shelf frame extensions mount with two M6x10 mm collar screw and M6 collar nut in top of the shelf frame.
- Top shelf mount with M6x10 mm selftapping collar screw and M6 collar nut.



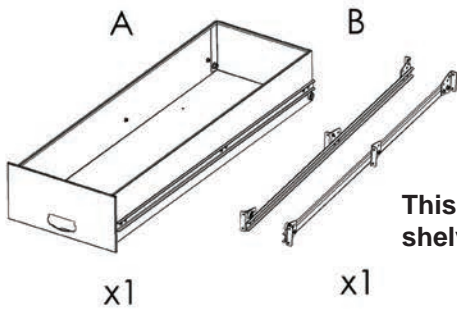
- When using a support with adjustable height, set the height and lock with two M6x10 mm collar screws and M6 collar nuts in each support.
- If needed the support can be cut.
- Support is mounted with two M6x10 mm collar screws and M6 collar nuts in each shelf.
- Support leg, set the desired height and mount with M6x10 mm collar screw.



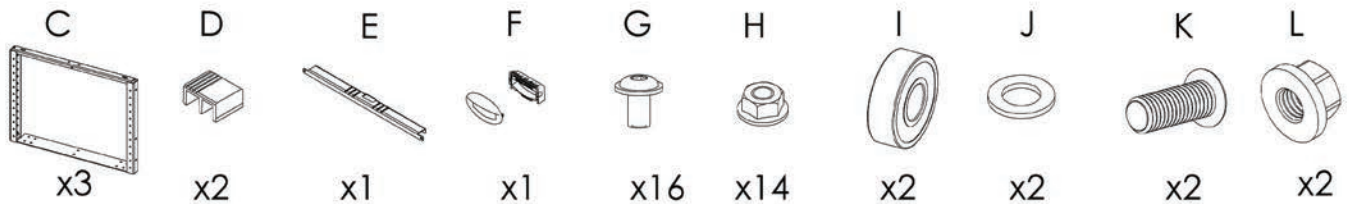
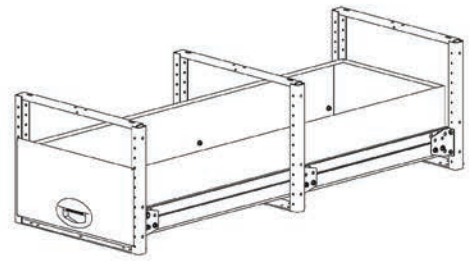
- When using a support with adjustable angle, make sure to set the angle horizontal.
- Mount the shelf with two M6x10 mm collar screws and M6 collar nuts.
- If using a shelf with adjustable length, set the length and drill four 6,5 mm holes in the long sides (two on each side) and secure with M6x10 mm collar screws and M6 collar nuts.



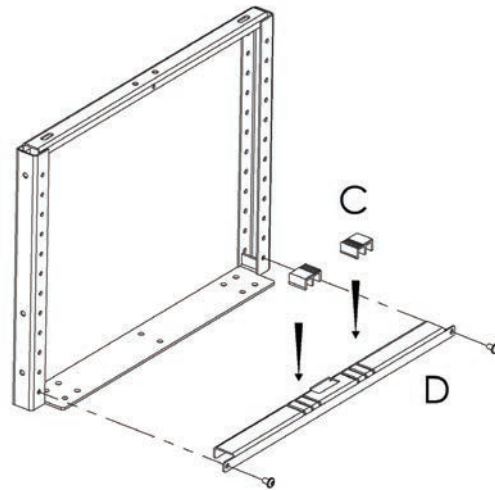
Sliding shelves



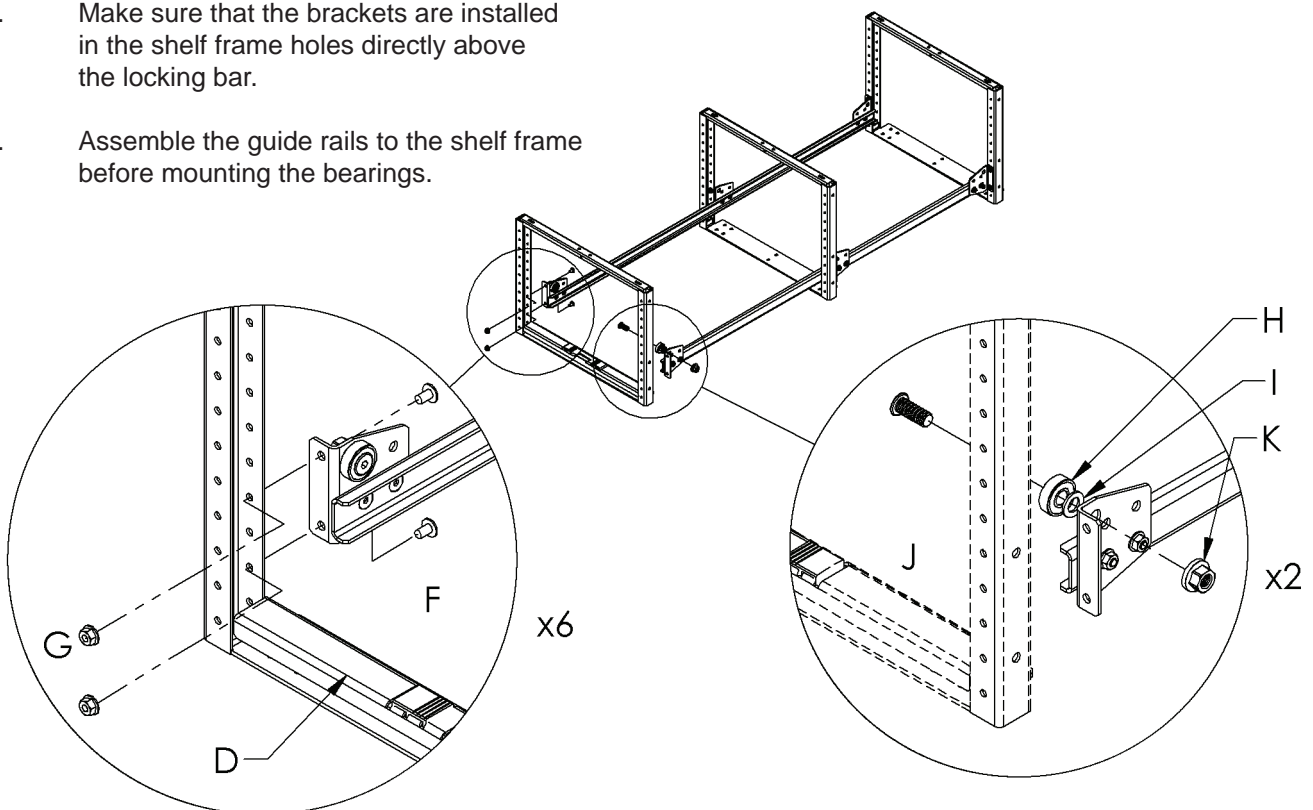
This manual relates to the sliding shelves 1881-1899.



1. Install the locking bar at preferred height with M6x10 (F) screws. Secure with the M6 nuts if possible!

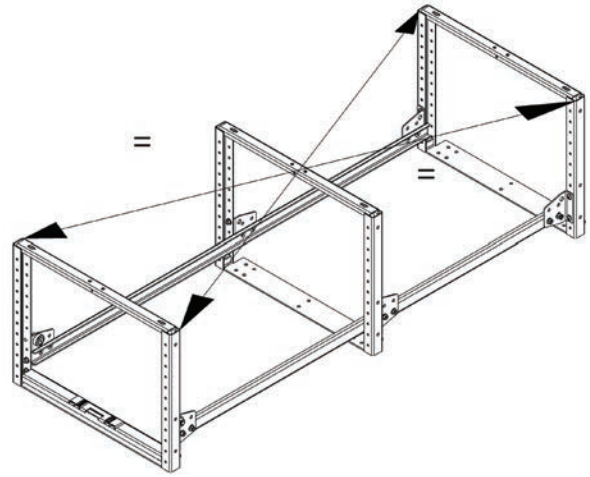


2. Make sure that the brackets are installed in the shelf frame holes directly above the locking bar.
3. Assemble the guide rails to the shelf frame before mounting the bearings.

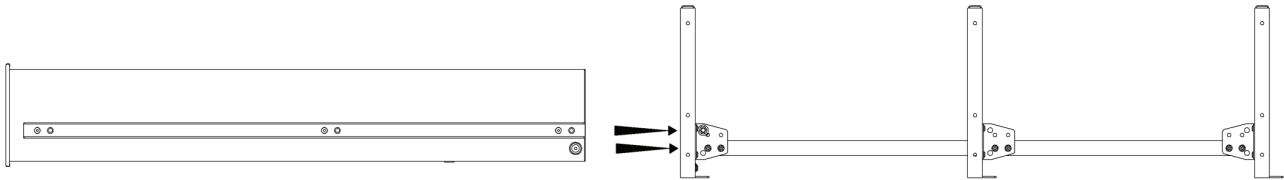


Sliding shelves

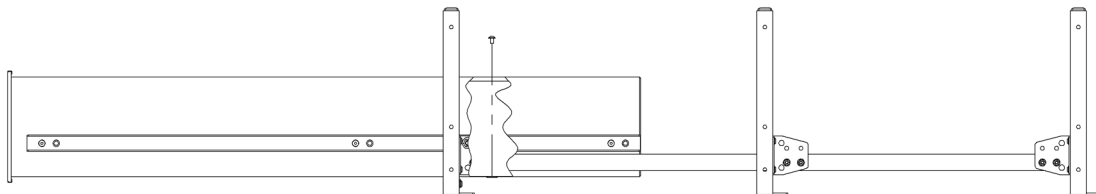
4. NOTE: For proper function of the shelf, the frames need to be mounted with equal diagonal measures.



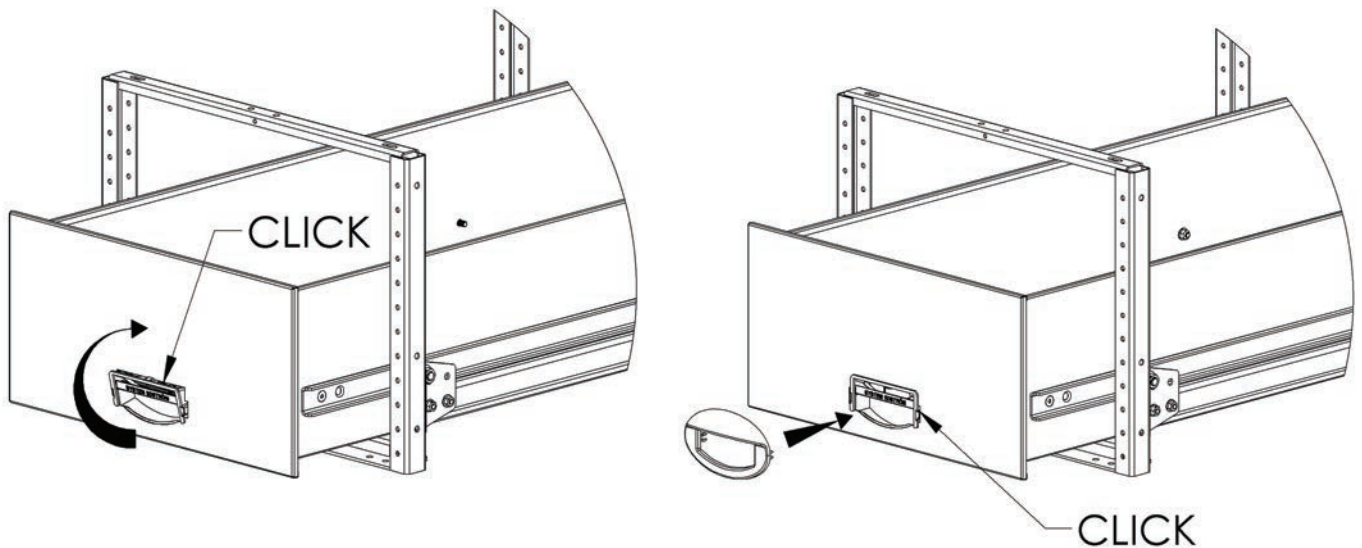
5. Align the shelf to fit the bearings. Gently slide the shelf in to place.



6. Apply the two stop screws to the bottom of the shelf when the two holes in the shelf has passed the locking bar.

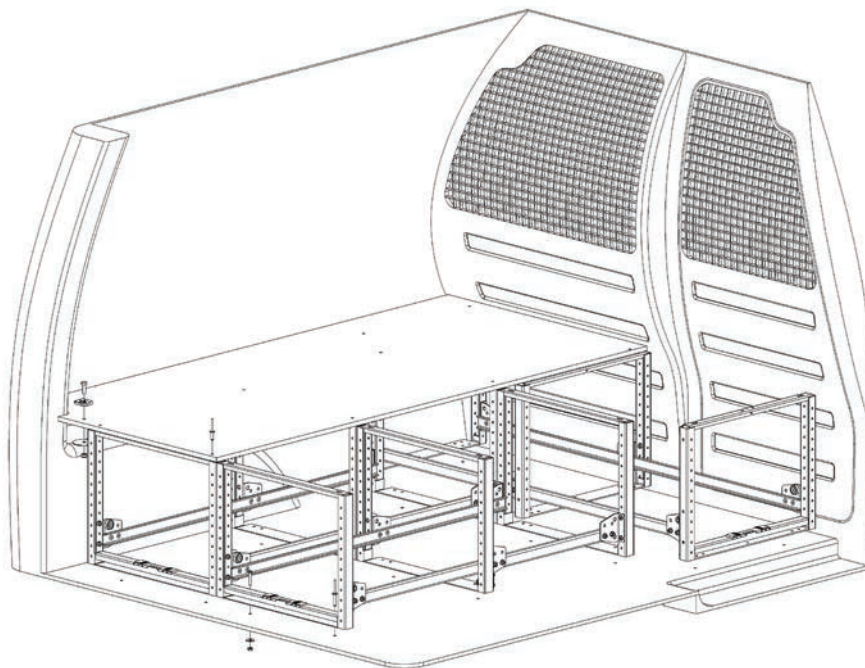
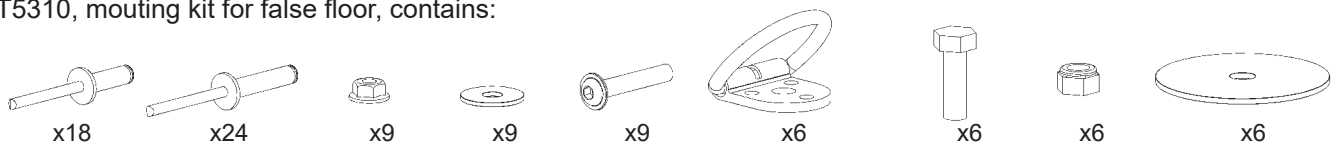


7. Install the two parts of the handle with clip fasteners according to the pictures below.



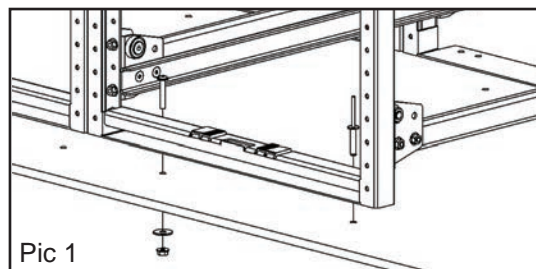
False Floor with Sliding Shelves

T5310, mouting kit for false floor, contains:



Pic 1

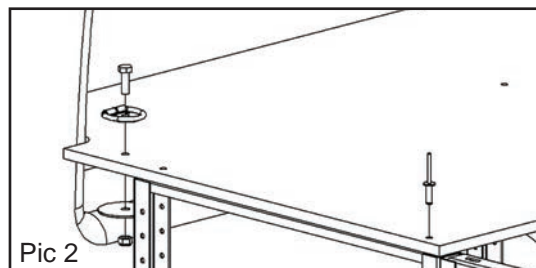
Mount the sliding shelves with three shelf frames each, as seen on page 6 -7. Mount the sections in the van, preferably with M6 collar screw and M6 collar nut. If you don't have room for a nut under the floor you can use 6,4 mm steel rivet. Check the cross measurement before drilling, pic 4.



Pic 1

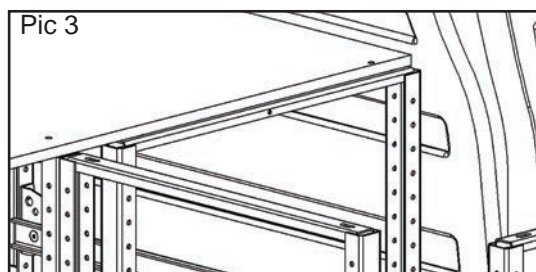
Pic 2

Place one half of the floor on top of the shelf frames and mark for drilling, do the same with the other half. Drill 6,5 mm hole for steel rivets, two in each shelf frame.



Pic 2

Place lashing rings (* max 200 mm from wall or interior and max 1200 mm between the rings), drill and mount these with M8 screw, large washer and lock nut. Consider if you are planning to have an interior on top of the floor, you may have to re locate the lashing rings.



Pic 3

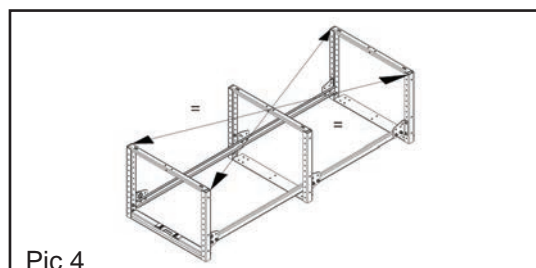
Mount one half of the floor at a time with 6,5 mm steel rivet. Remember to mount the interior on top of the floor if you should have it, before you fit the floor.

Pic 3

If you want to mount a transverse section through a side door, locate the middle shelf frame to the joint of the floor sections.

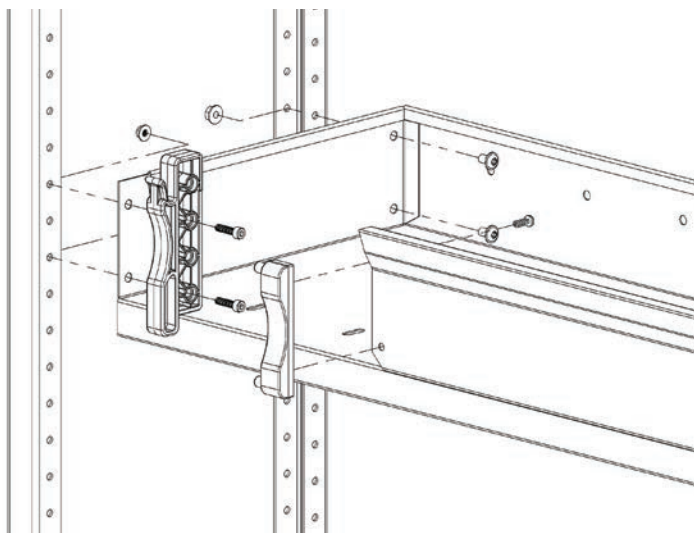
Pic 4

It's important that the shelf frames are mounted symmetrical, the diagonals measures should be the same.

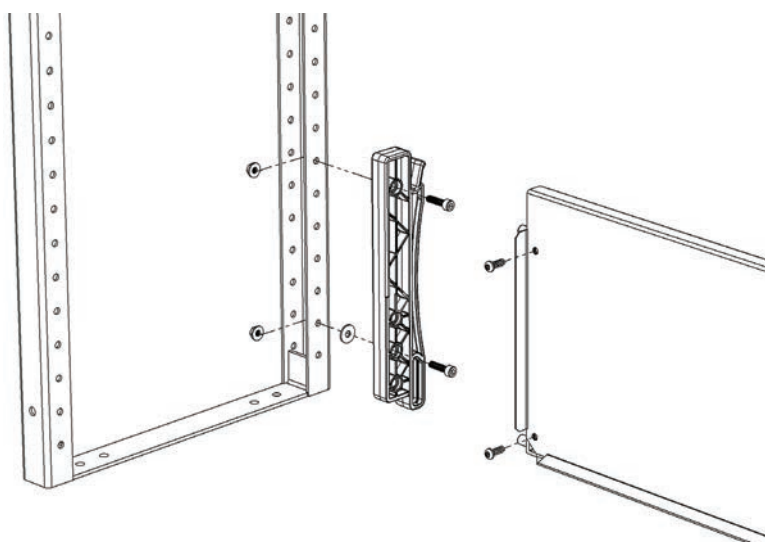


Pic 4

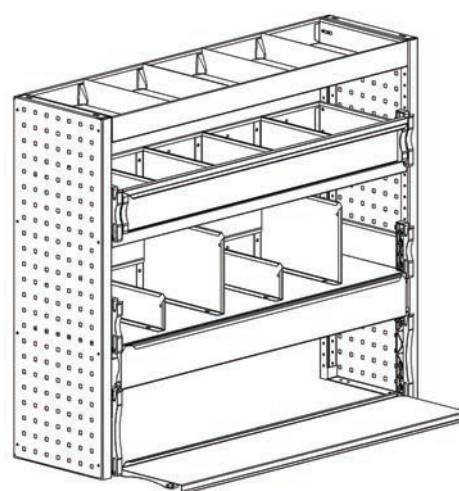
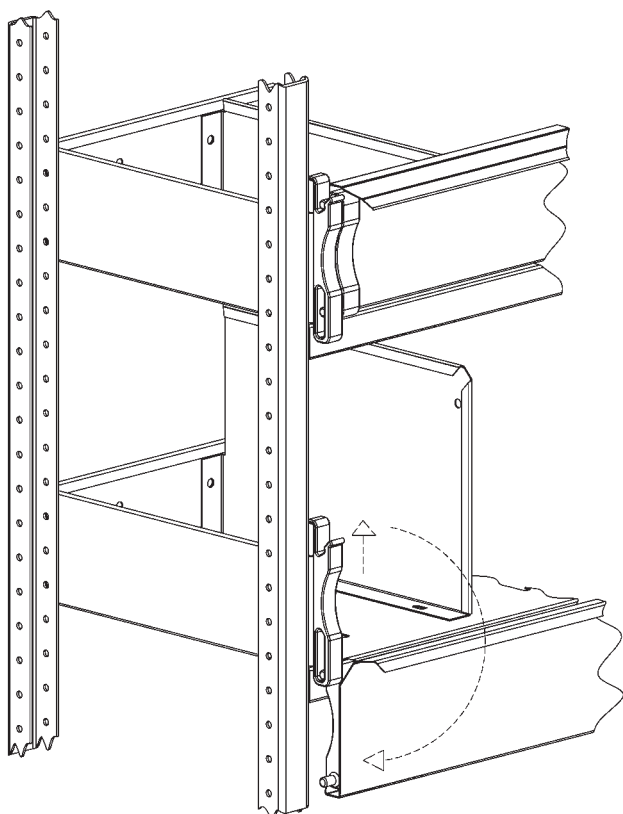
Dropfront



- Place shelf at the desired height.
- Mount with two M6x10 mm self-tapping collar screw in each corner.
- If shelf is mounted to a cassette use M6x10 mm collar screw and M6 collar nut.
- Mount a latch in the shelf and shelf frame, place the front in position and mount the other latch. Use the M5-screws (with cylindrical head) enclosed in the front package.
- Fasten the latch at the dropfront with the supplied screws for plastic.
- Adjust the latches carefully to avoid rattling from the front.



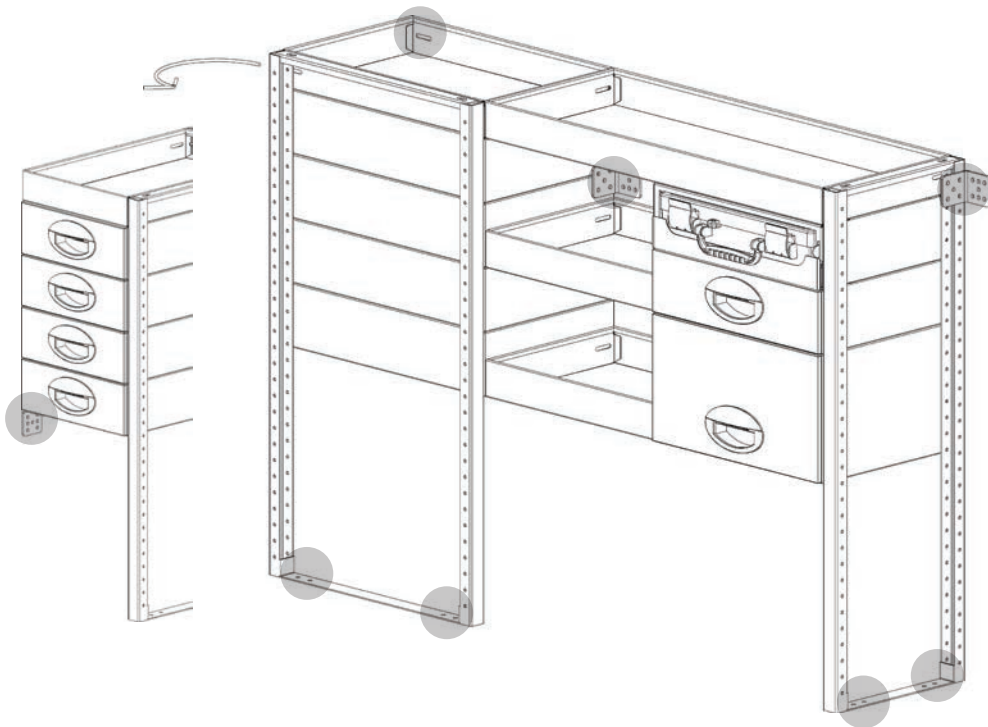
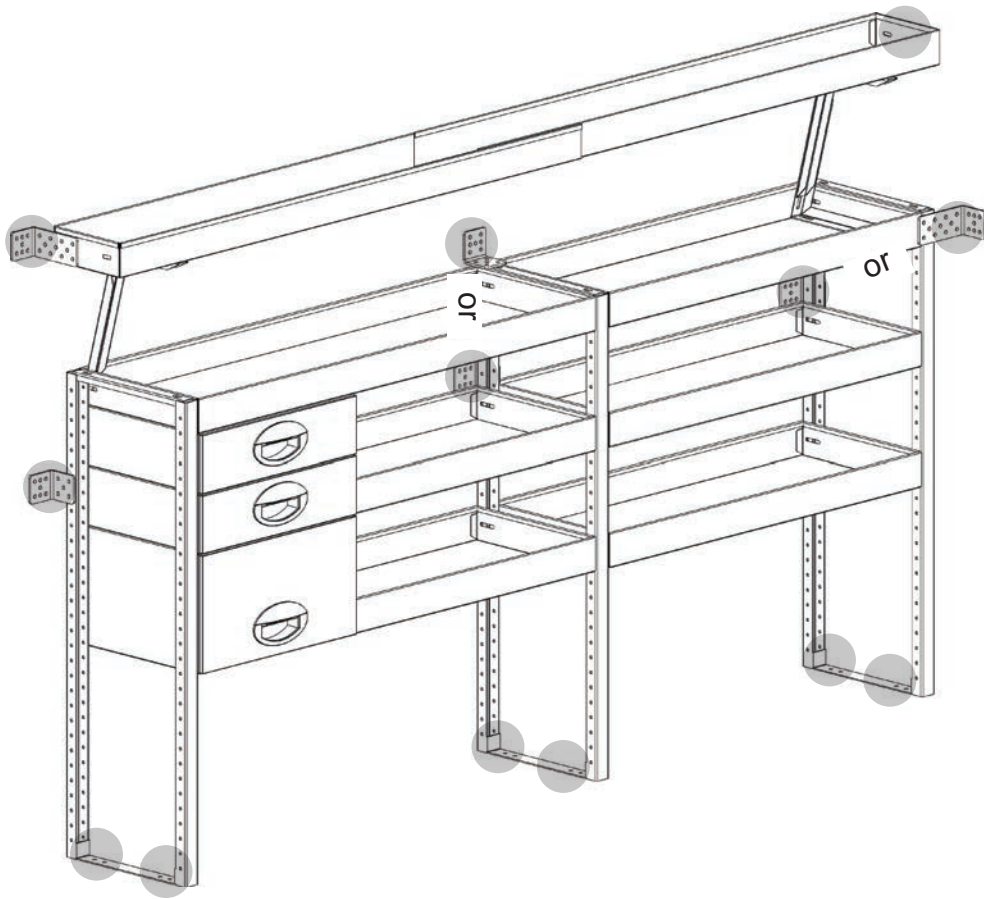
- When mounting a front at floor level, mount the latch in the shelf frame with the M5-screws (with cylindrical head) enclosed in the front package.
- Mount a latch, place the front in position and mount the other latch. Use screws enclosed in the front package. Use the spacer included in the package on the lower screw, to compensate for the thickness of the shelf.
- If mounting to a support leg (part no: 2090) you must have a spacer app. 5 mm between the latch and leg (not in package).

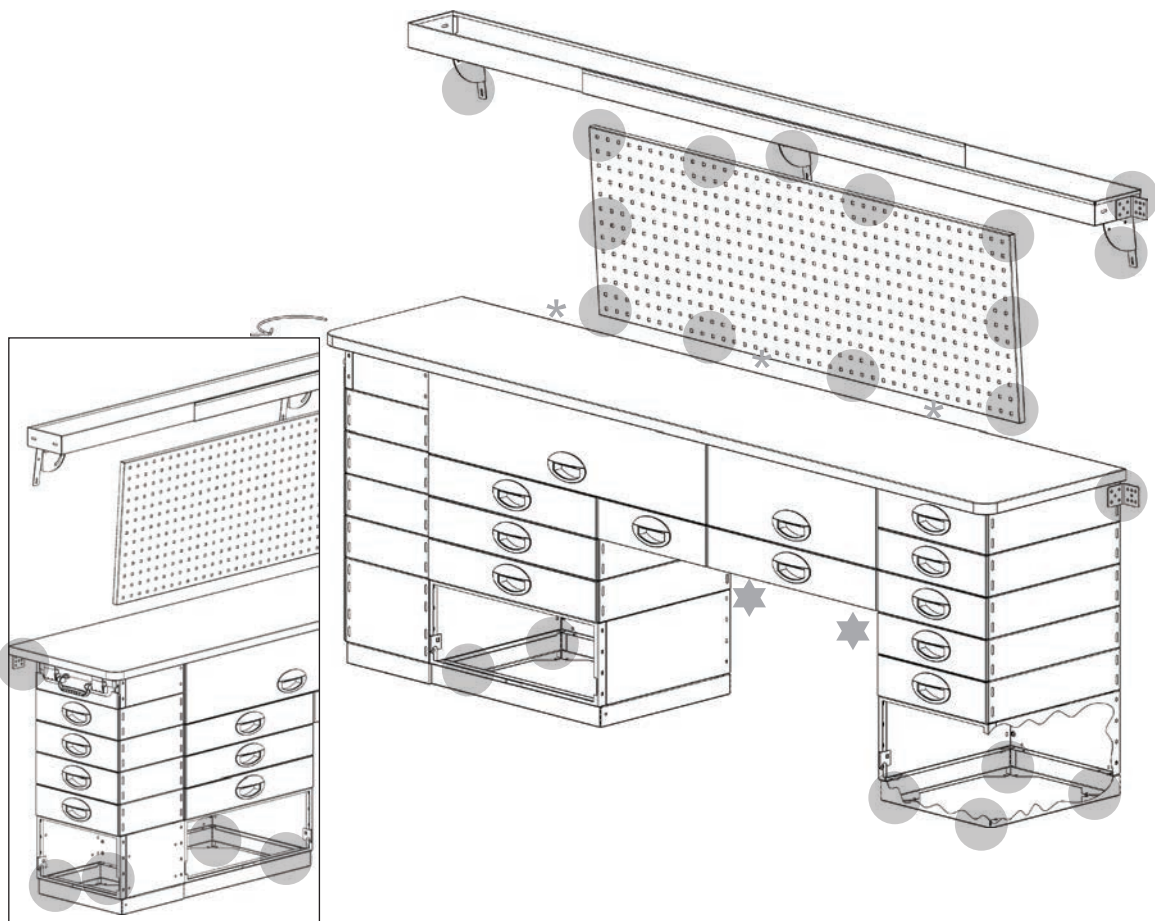
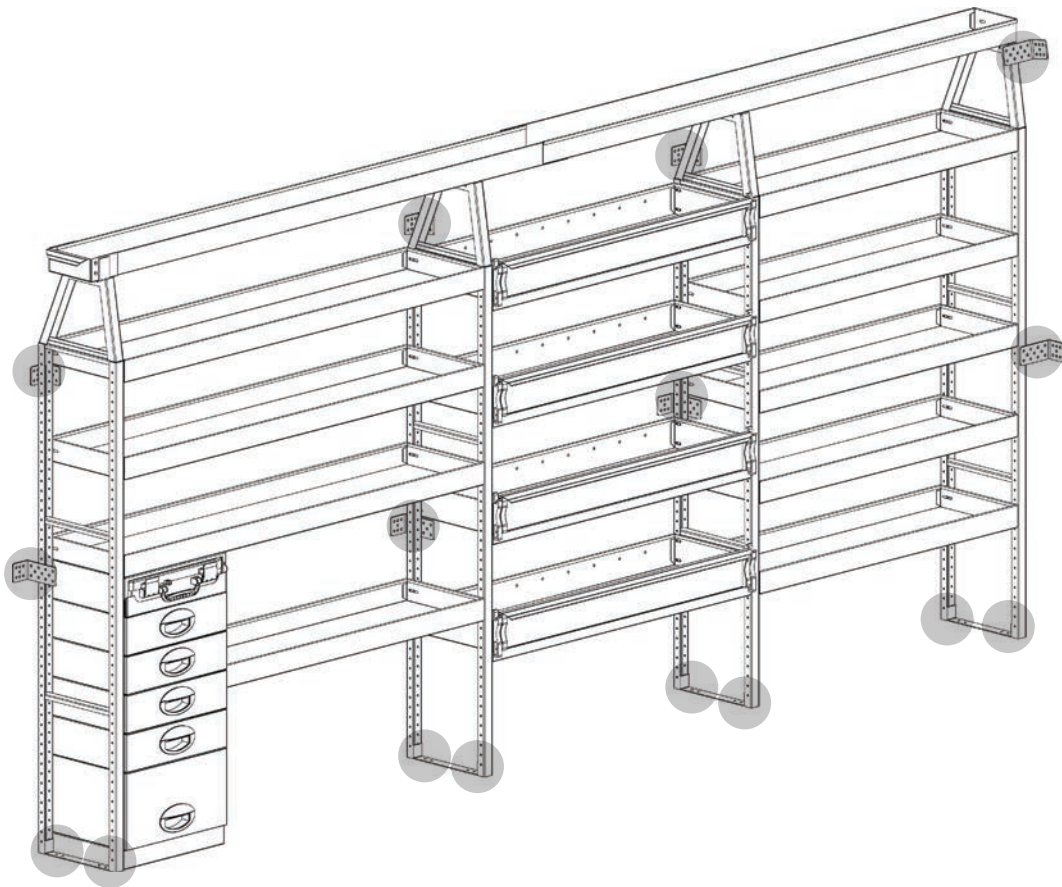


Example on a dropfront section

The example shows a section with 3 shelves, 2 with dropfront and a "regular" top shelf. Also shown is a front at floor level which can be useful in front of a wheel well.

Mounting/Installation Overview



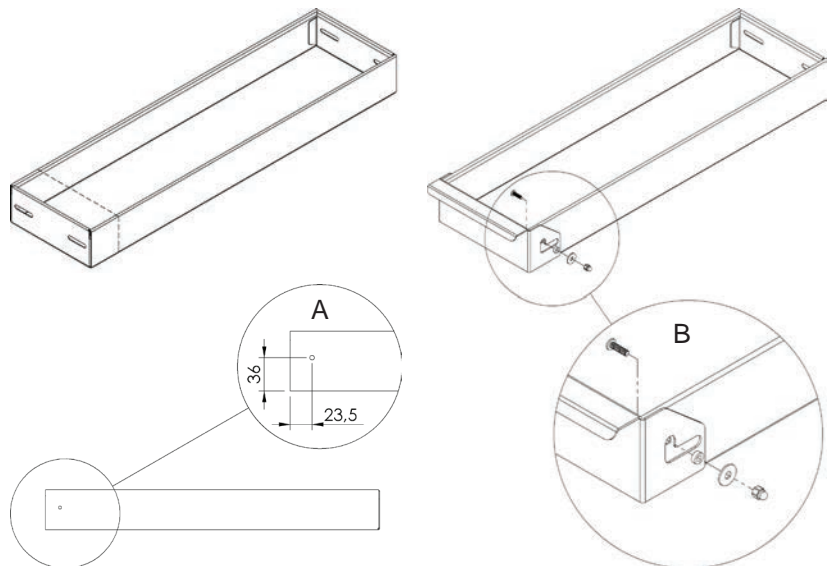


* Drill through holes in back of cassette, attach to body beam.

★ Mount brackets under the cassettes, attach to body beam.

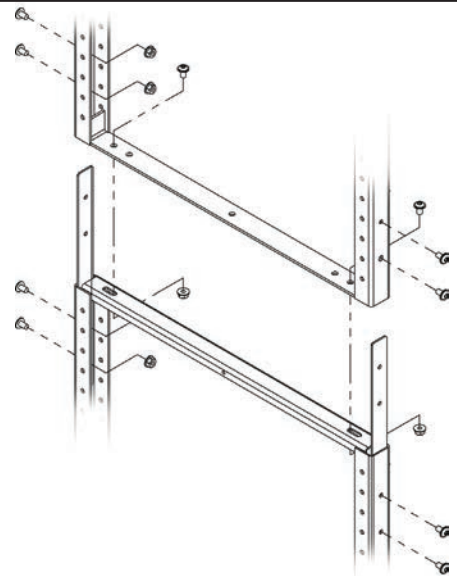
Flipfront

- Cut one end of the shelf.
- Protect the cut against corrosion.
- Drill holes, see A. The screw is M4, so the hole need to have a diameter of \varnothing 4 mm.
- Mount the front, see B, with enclosed screws.



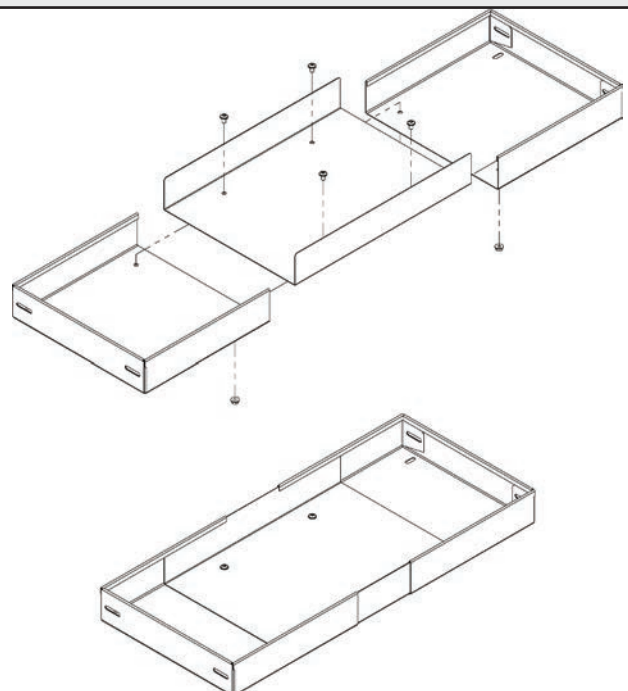
Shelf frame joint

- Drill two \varnothing 6,5 mm holes in top and bottom end in all four poles, use the joint as a template.
- Mount the frames together using M6 collar screw and M6 collar nut, see picture.

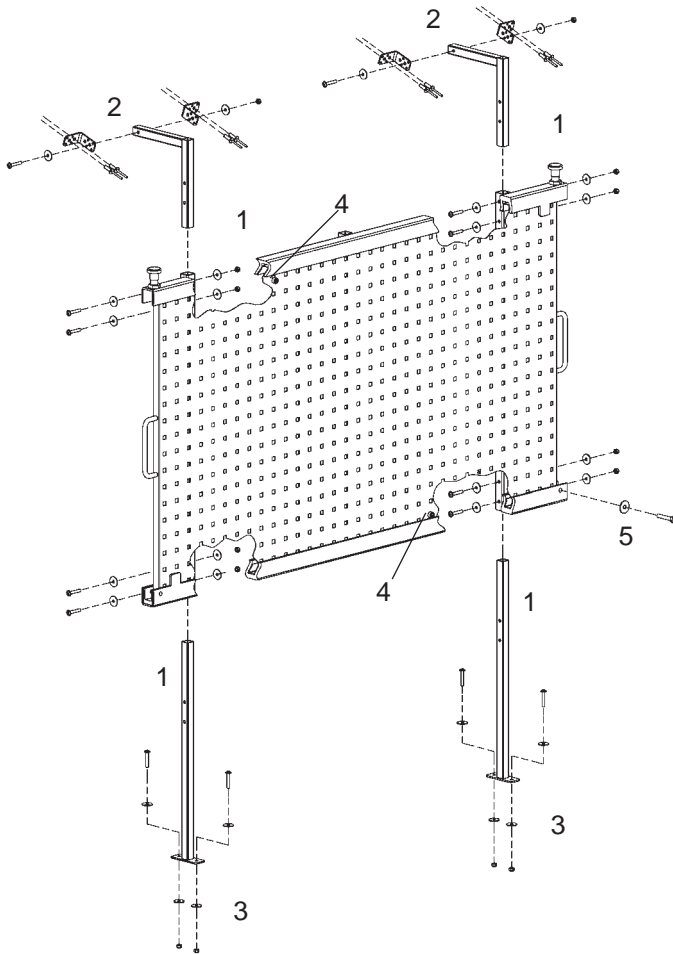


Shelf joint

- Cut one end of on the two shelves you want to splice.
- Insert the joint in the folded stabilizer edge.
- Mark for drilling, drill four 6,5 mm holes.
- Mount using M6 collar screw and M6 collar nut.



Louvre Panel and Sliding Interior Frame



- 1
- Set the height, mark for drilling two $\text{\O} 6,5$ mm holes.
 - If necessary, cut the brackets.
 - You can also cut to mount closer to the van's body side.

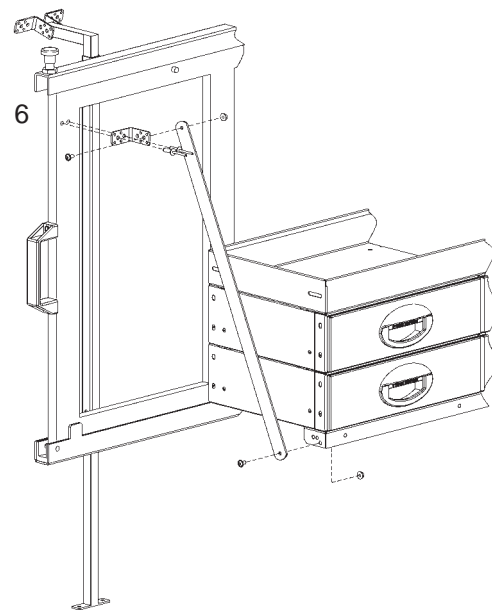
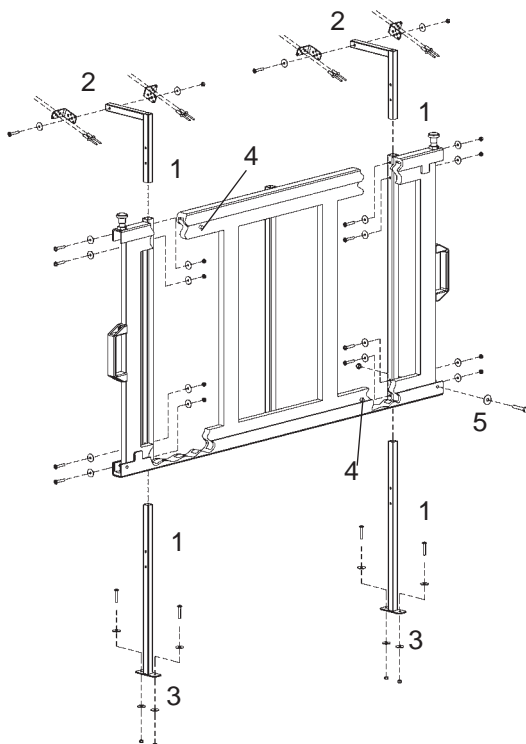
- 2
- Mounts chassis/beam in the van with $6,4$ mm steel rivets.
Note, must be mounted in the van's reinforced beams.

- 3
- Mount with screw, at least M6, through the floor in the van.
Must be bolted in the chassis of the van.

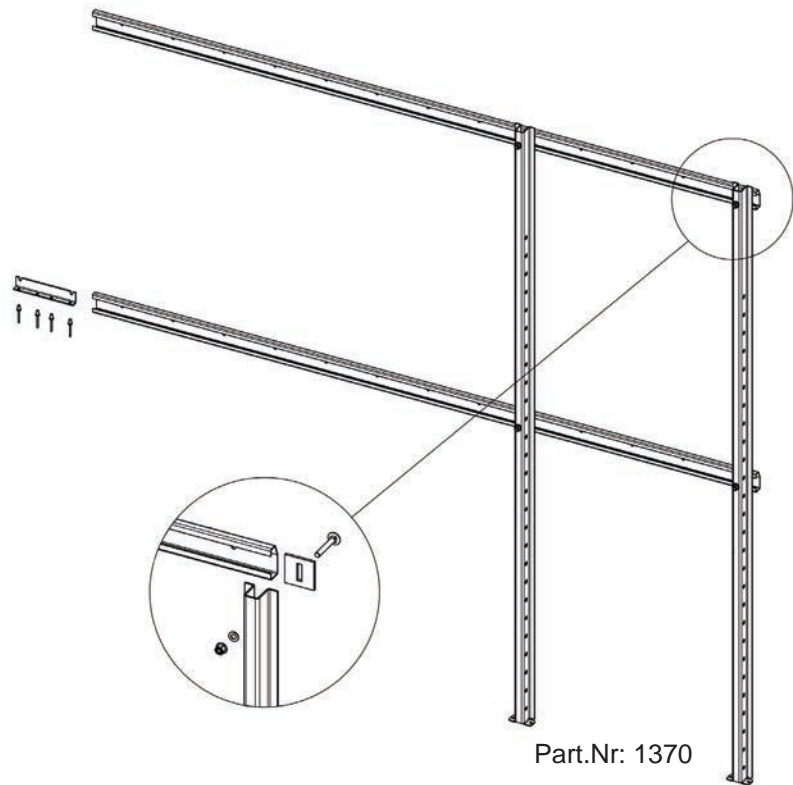
- 4
- Make sure the stop screws are fitted.

- 5
- When mounting longitudinal you must have an M8 stop screw with nut in front of the panel. When mounting transverse this can be skipped.

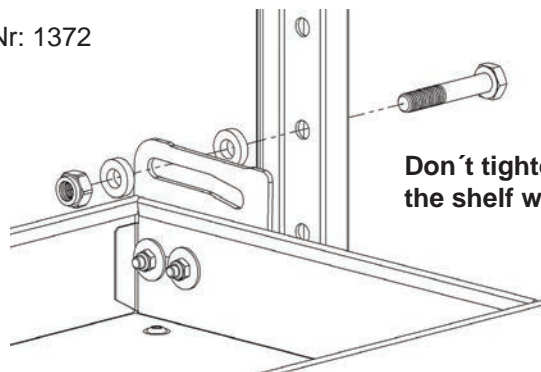
- 6
- Drill holes for steel rivets in the appropriate place.



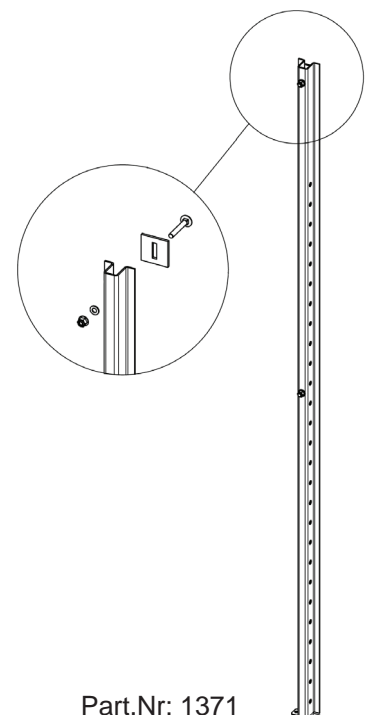
- Mount the top rail in the chassis of the van, make sure you align it vertically otherwise the upright will be out of line. If necessary cut the top rail to fit.
- Mount the uprights, do not tighten the nuts.
- Mount the middle rail, do not tighten the nuts.
- Mount the brackets to the shelves.
- Adjust the uprights to fit the shelves with brackets in between. Mount the shelves to the uprights. See the picture below.
- When all shelves are mounted, adjust uprights and tighten them to the shelves, start from an end. When everything is adjusted mark for drilling the floor.
- Drill two $\varnothing 6,5$ mm holes for each upright.
- Tighten all the screws.



Part.Nr: 1372

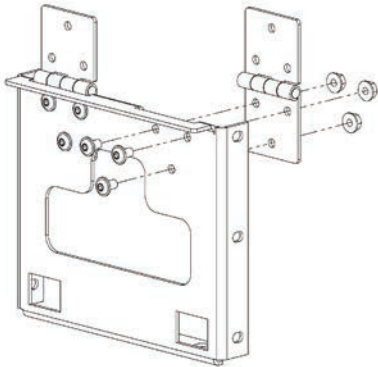


- 1371 is used when having 2 shelf sections with a total of max 1800 mm length.
- If you are building a configuration that is longer add a 1370 instead of 1371.
- Max length on shelves is 1600 mm.

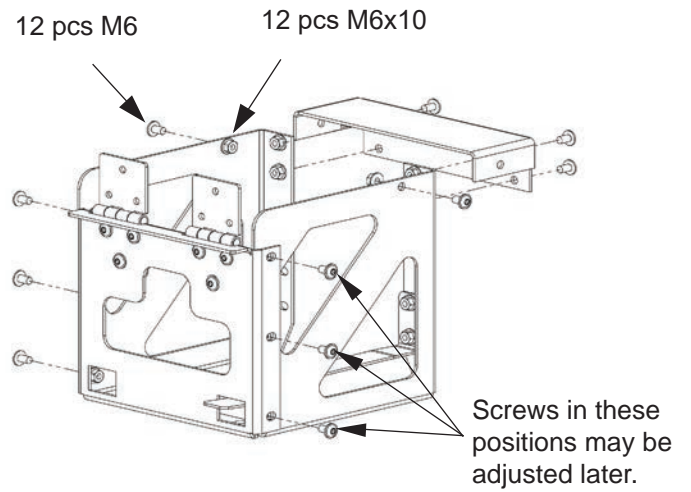


Foldable Vice Holder/Bench (2724)

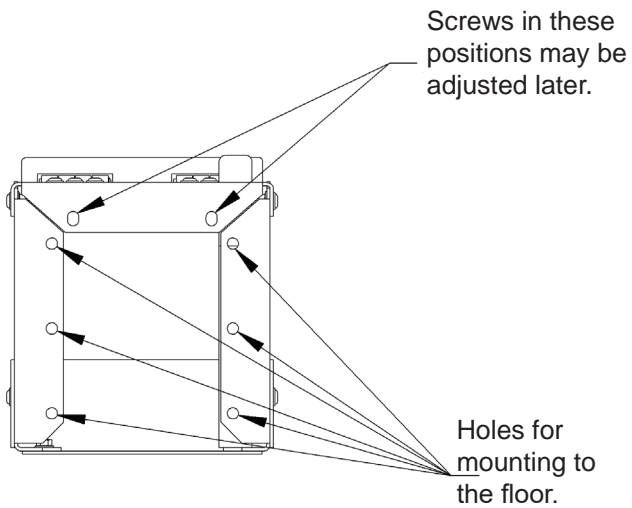
1. Attach both hinges so that the joint fits in to the grooves in the front stand.



2. Mount the side pieces and the back of the frame with screws and nuts.

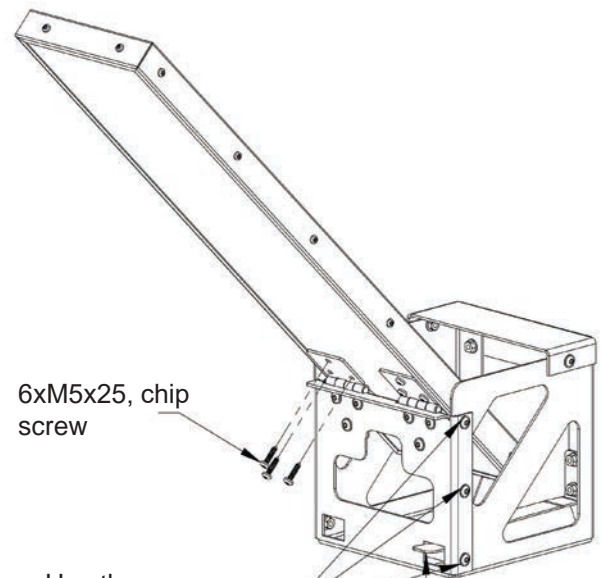


3. Mount the stand in the floor of the vehicle.

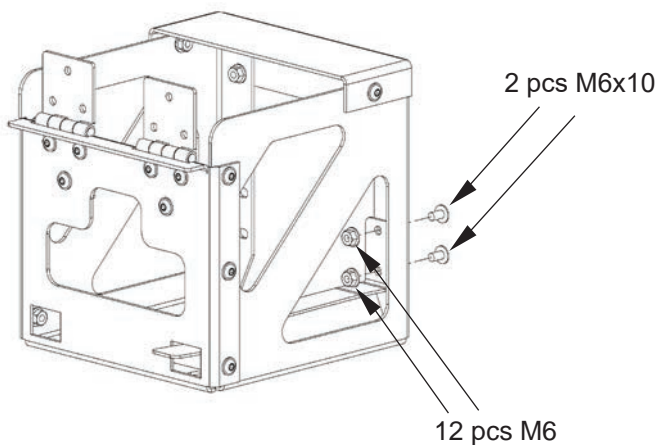


5. Attach the workbench to the hinges with 6 M5 chip screws.

When the folding viceholder bench is assembled, check the function of the folding mechanism.

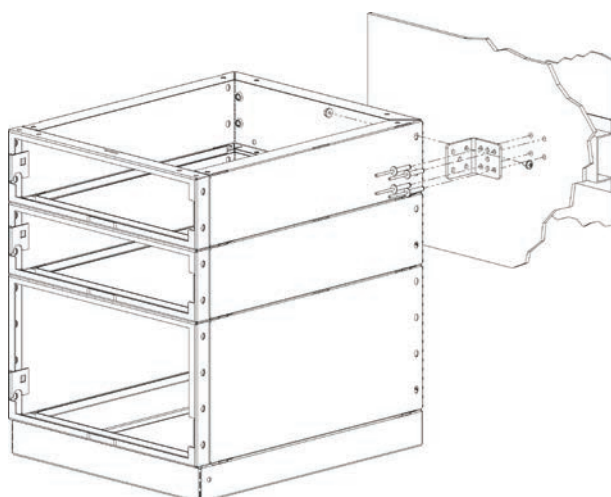


4. Attach the spring to the stand.



Check the locking and release function.

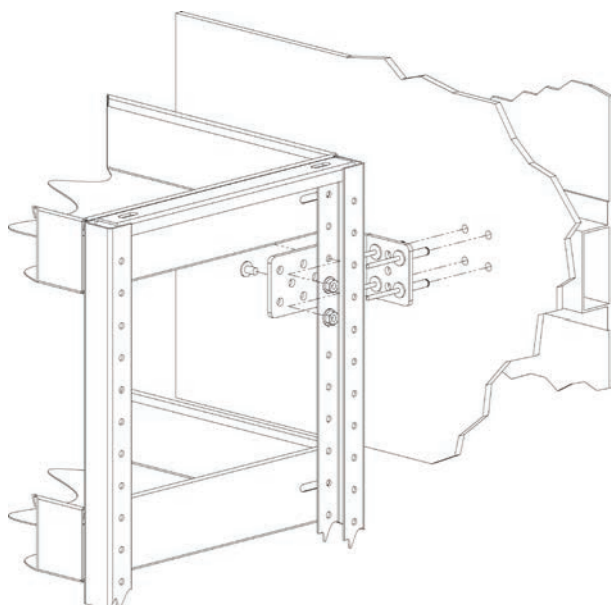
Installation in vehicle



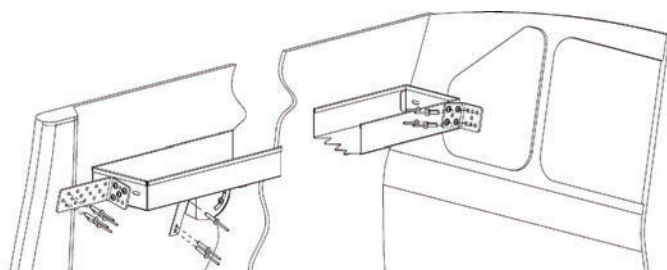
- Place your assembled unit in the van.
- Mount angle brackets in top of the unit using M6x10 mm collar screw and M6 collar nut.
- Make sure the brackets can be mounted in the van's chassis. If you cant find any fixing point you must mount an L-Type rail between vehicle's vertical stringers.
- Drill Ø 6,5 mm holes for steel rivets.
- If the unit exceeds 1220 mm height you should mount an extra angle bracket where you find a horizontal or vertical stringer.



When drilling in body side, use as short a drill as possible to prevent damage the body. Use corrosion protection when drilling in the vehicle.



- Place your assembled unit in the van.
- Mount angle brackets in top of the unit using M6x10 mm collar screw and M6 collar nut.
- ! If possible the angle brackets should be mounted in front of the shelf frame, see picture.
- Make sure the brackets can be mounted in the vans chassis. If you cant find a fixing point you must mount an L-Type rail between vehicle's vertical stringers.
- Drill Ø 6,5 mm holes for steel rivets.
- If the unit exceeds 1220 mm height you should mount an extra angle bracket where you find a horizontal or vertical stringer.

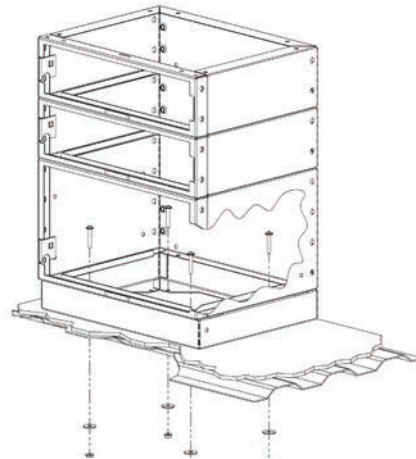


- A "standalone" pipe shelf is mounted with our support (Part No: 1840) in van chassis with steel rivets.
- In the ends you can use rivets in the chassis, see picture.
- Drill Ø 6,5 mm hole for the steel rivet.

Glued floor for installation in electric and electric hybrid vans

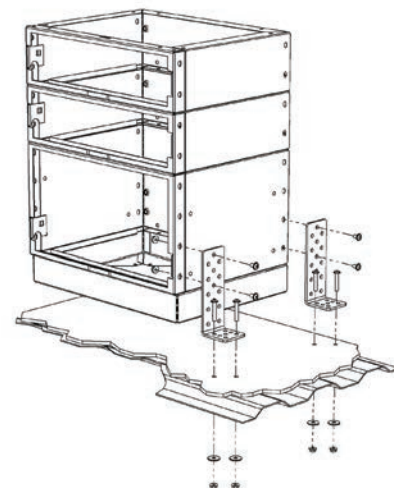
- Place the plywood floor in the van. This is a requirement to mount van racking in electric vans.
- Place your assembled unit in the van.
- Mark for drilling holes on the floor using holes in shelf frames, support plinths, etc.
- Remove the floor and drill for tee nuts (sold separately). M6 Ø 7,5 mm hole / M8 Ø 9,5 mm hole.
- Mount all tee nuts.
- Clean the surfaces, apply the glue, be sure to follow the manufacturer's instructions.
- Install the floor in the van, allow the glue to dry according to manufacturer's instructions.
- Place your assembled unit/units and tighten, M6 with 14 Nm and M8 with 24 Nm.

- Place your assembled unit in the van, mark for drilling through the pre punched holes in bottom of the support plinth.
- Drill Ø 6,5 mm holes for the screws or steel rivets.
- Use M6 collar screw with collar nut.
- If you don't have room for a nut under the floor you can use 6,4 mm steel rivet.



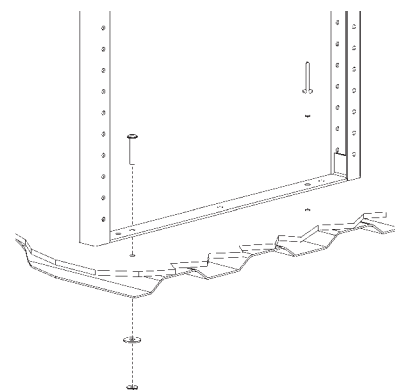
...Or:

- Place your premounted unit in the van.
- Mount angle brackets with M6x10 mm collar screw and M6 collar nut.
- Mark to drill the floor.
- Drill Ø 6,5 mm holes for screws or steel rivets.
- Use M6 collar screw with collar nut.
- If you don't have room for a nut under the floor you can use 6,4 mm steel rivet.



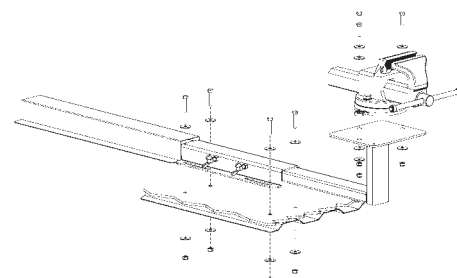
Locate position of fuel tank, spare wheel, fuel and brake lines, electrical cables, etc. Make sure not to damage these while drilling or attaching screws and rivets.

- Place your premounted unit in the van.
- Mark through the pre punched holes in bottom of the shelf frame.
- Drill Ø 6,5 mm holes for screws or steel rivets.
- Use M6 collar screw with collar nut.
- If you don't have room for a nut under the floor you can use 6,4 mm steel rivet.

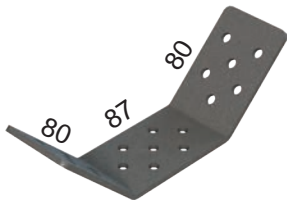


The vice and vice holder is mounted with the mounting kit 5510.

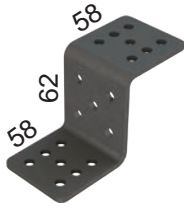
- Place vice holder where you want it.
- Mark for drilling through holes in the bracket.
- Drill Ø 8,5 mm holes.
- Mount with M8 screw, locknut and a washer on each side.
- Protection cover is fixed with screws.



Installation Parts



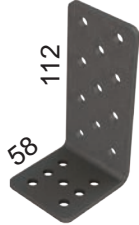
No. 2809



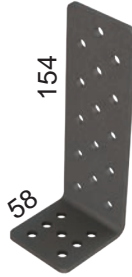
No. 2811



No. 2801



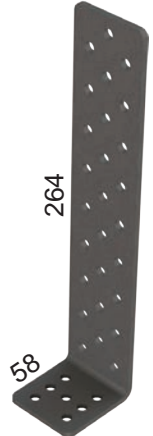
No. 2803



No. 2805



No. 2807



No. 2808

All brackets has 35 mm width.



M6x10 mm Collar screw
No. 5600



M6x35 mm Collar screw
No. 5620



Steel rivet 6,4x30 mm
No. 5664



M6 Collar nut
No. 5640



M6 Tee nut
No. 7172



Steel rivet 6,4x22 mm
No. 5662



M6 Washer
No. 5642



Screw 4,2x32 mm
No. 7174



Alu. rivet 4,8x10 mm
No. 5672



No. 5501



No. 5502



No. 5510

Your new van has just been delivered, and you have a pile of tools and spare parts to fit in. In this case we have some thoughts we want to share with you;

- Heavy loads low, seems obvious for most of us. But you should always remember this: store your load in a clever way and you will have less back problems and the vehicle will act much better and be safer on the road.
- If you have bulky packages on the floor make sure to use proper straps to retain them! It can save your life!
- Remember that System Edström is only a tool for good order and safety in your vehicle, at the end of the day it is up to you how effective this tool will function in your everyday life.
- When you equip your vehicle with the tools and spare parts you'll need, remember to PUT the items in place. If you just throw these in place, you can damage tools, parts and the interior.
- Use drawer inserts and plastic bins as much as possible, it will keep your stuff in place. This also avoids unnecessary noise and damaged tools/parts.
- Benefit from a quieter life by using plastic foam in the cassettes, it also prevents damage to tools and parts.
- Rubber mats on the shelves are a matter of course for us. Again, it reduces noise and your tools and parts stay in place.



How much can you load in System Edström

All weights apply to evenly spread payloads.

- Cassettes with ball bearing - 60 kg
- Shelves 300 - 1600 mm length 70 kg
- Shelves 1601 - 2200 mm length 50 kg
- Pipe shelves - same as above
- Telescopic shelves manage 30 kg
- Shelves, aluminium - 20 kg
- Sliding shelves - 80 kg
- Sliding platform - 200 kg
- Sliding interior frame - 140 kg
- Louvre panel - 125 kg



- ! Note! One thing is how much payload our products can manage. Another important fact is that your vehicle has a maximum payload, make sure not to exceed this!!

Torque

M6 - 14 Nm

M8 - 24 Nm



SYSTEM EDSTRÖM



SYSTEM EDSTRÖM BILINREDNINGAR AB
Raseborgsgatan 11
164 74 Kista
Sweden

CONTACT
Order +46 (0)10 10 295 00
Sales +46 (0)10 10 295 01
Switchboard +46 (0)8 590 920 20
info@edstrom.se