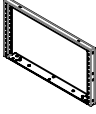


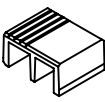





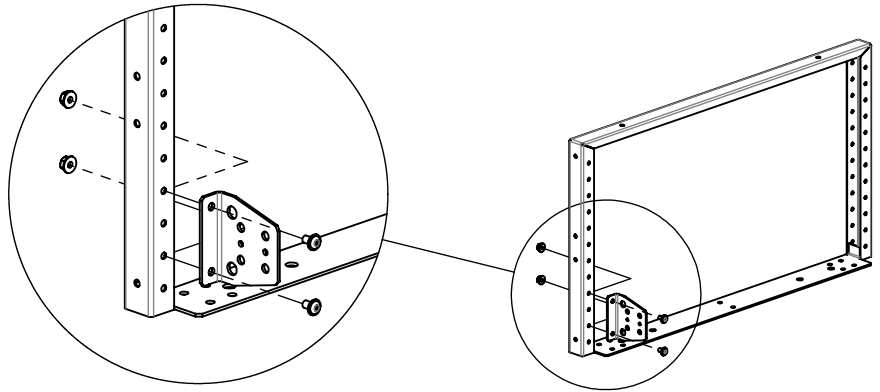


A	B	C	D	E	F	G	H	I
								
SHELF FRAME x3	EXTENSION SLIDES x1	DRAWER HANDLE x1	SLIDE SUPPORT x2	LOCK BAR x1	BRACKET x6	4,8x10,8 BLIND RIVET x20/22/24	M6x10 x14	M6 FLANGE NUT x12

①

Mount each bracket with M6 screw and flange nut.

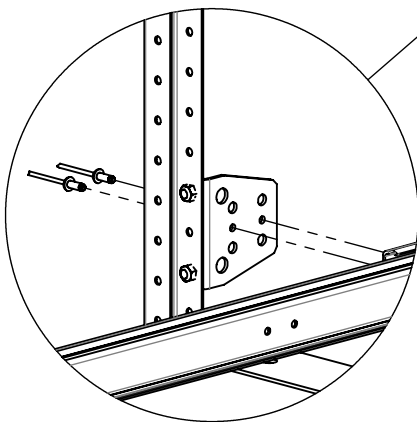
NOTE, leave the first hole free.



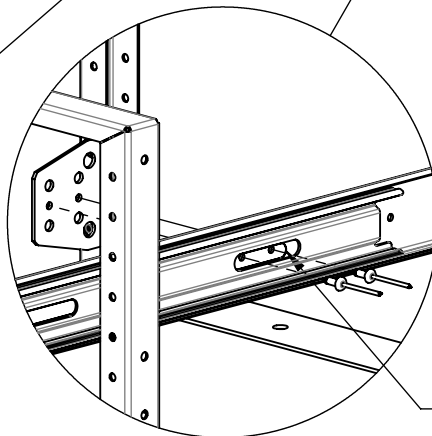
②

Mount each extension slide with 6 pcs of Ø4,8mm steel rivets using the smallest hole in the mounting bracket.

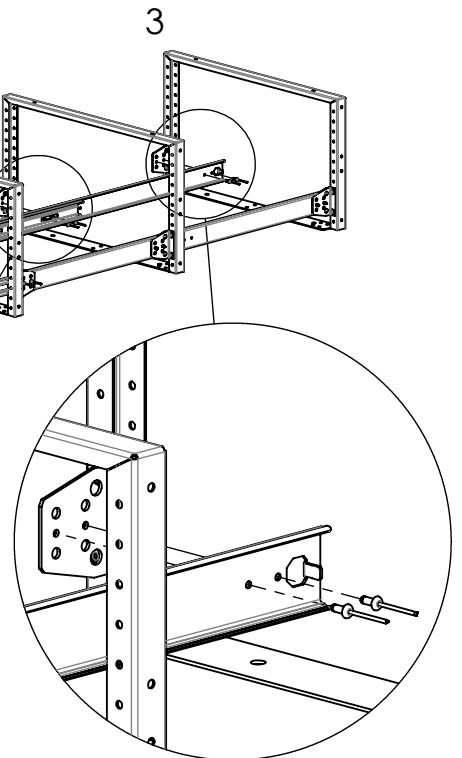
NOTE, the rivets in the front (1) shelf frame is mounted from the outside and the rivets in the middle (2) and back (3) shelf frame is mounted from the inside.



Mounted from the **outside**.

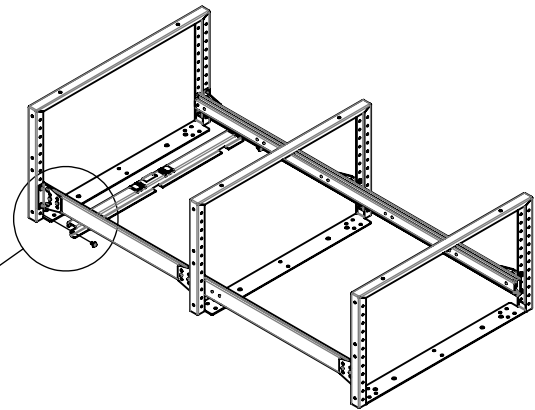
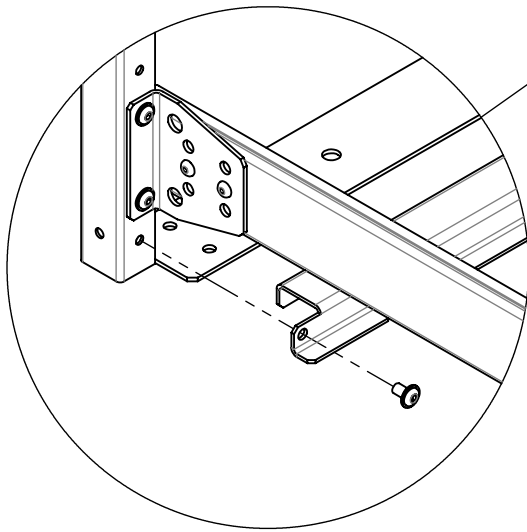
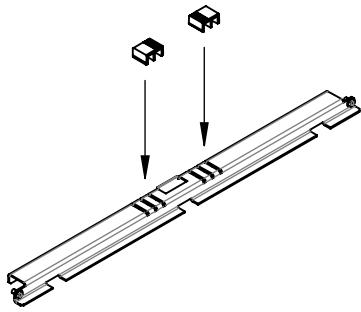


Mounted from the **inside**.



Mounted from the **inside**.

NOTE, the plastic profile between the outer and middle extension slide profile may have to be moved slightly in order to access the holes.



③

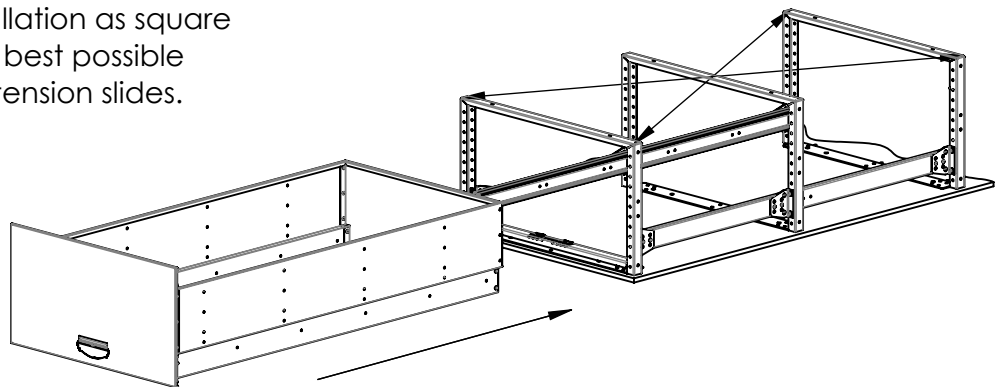
Apply slide supports to the lock bar.

Attach the lock bar to the front shelf frame, under the mounting bracket.

NOTE, do not over tighten the M6 flange screw, there is no room for a lock nut on the bottom drawer. We recommend using Loctite.

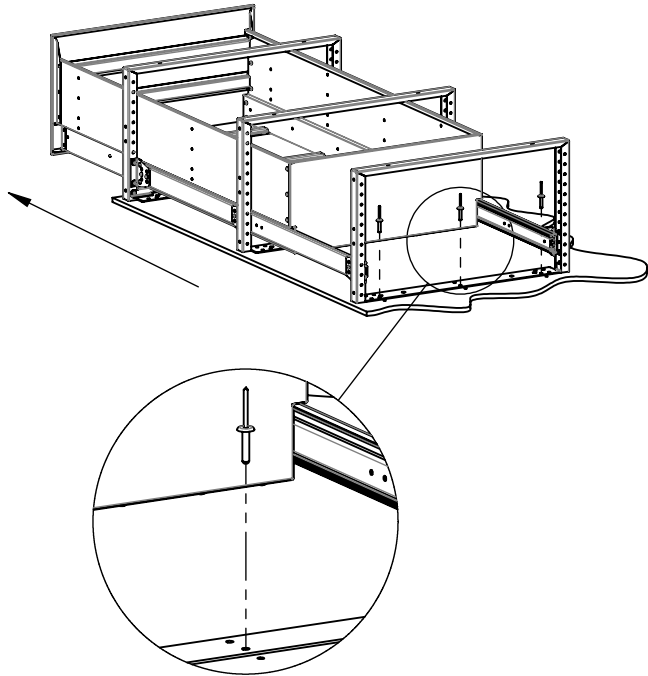
④

1. Slide in the drawer, on top of the extension slides so that it hangs by itself.
2. Make sure that the front of the shelf closes all gaps around the first shelf frame.
3. Try to get the installation as square as possible for the best possible function of the extension slides.



⑤

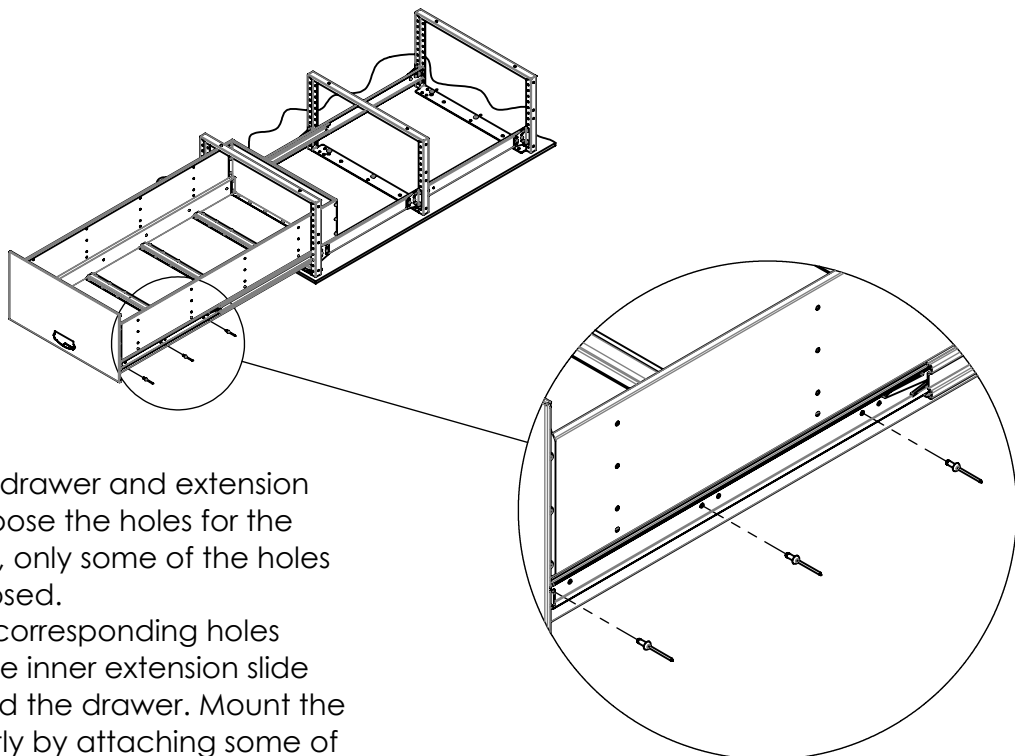
1. Carefully pull out the drawer so you can reach the rear frame (do not move the frames).
2. Drill the necessary holes in the vehicle using the pre-drilled holes in the frame as template (drill through the chassis if possible).
3. Mount the shelf frame with M6 flange screw and flange nut. At least 3 in each shelf frame. If there is limited access you may use  $\text{Ø}6,4\text{mm}$  steel rivets instead.
4. Pull out the drawer to reach the middle frame and repeat the procedure.



NOTE, do not forget to rust protect the drilled holes.

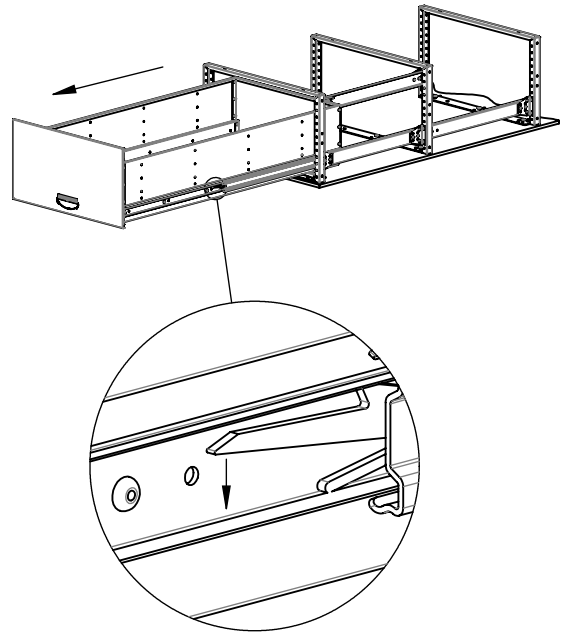
⑥

1. Pull out the drawer and extension slides to expose the holes for the rivets. NOTE, only some of the holes will be exposed.
2. Match the corresponding holes between the inner extension slide sub-part and the drawer. Mount the drawer partly by attaching some of the  $\text{Ø}4,8\text{mm}$  steel rivets into the first hole of each pair.



⑦

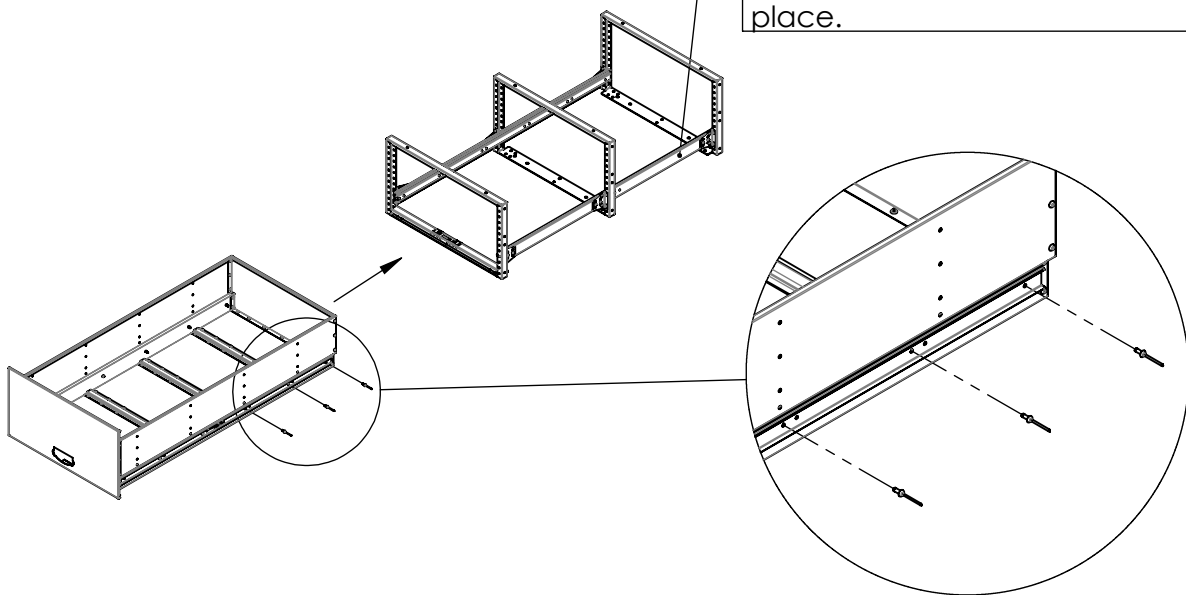
1. The plastic locking pin is exposed when the extension slides are fully extended.
2. Pull the lever on the plastic locking pin to release the inner extension slide sub-part. NOTE, the extension slides are identical meaning push the lever DOWN on the RIGHT SIDE and pull UP on the LEFT SIDE.
3. Pull out the inner extension slide sub-part and drawer entirely.



⑧

1. Attach the rest of the  $\text{Ø}4,8\text{mm}$  steel rivets.
2. Mount the inner extension slide sub-part and drawer back on the rest of the extension slide by sliding it into place.

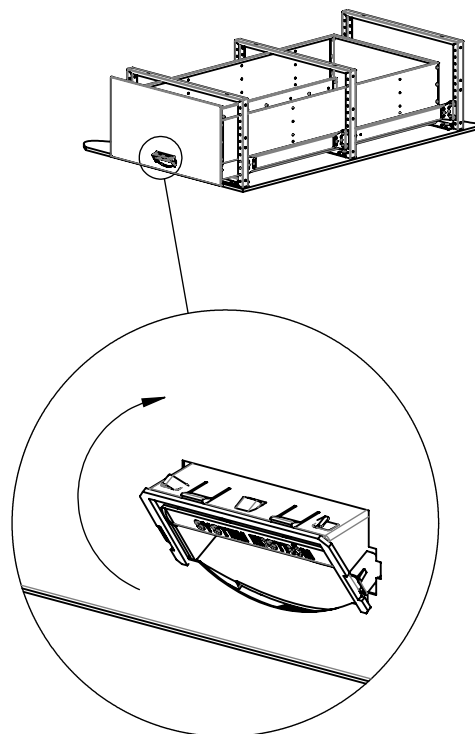
NOTE, to minimize the risk of bearing failure, pull back/close the extension slides attached to the shelf frame before attempting to slide the inner extension slide sub-part and the drawer back into place.



9

Pull out the drawer approximately 10cm before you start mounting the handle.

Attach the inner part of the handle by inserting it from the outside of the drawer and rotate it until it snaps into place.



10

Attach the outer part of the handle by pushing it in place.

Aim carefully so you do not bend the snap lock.

